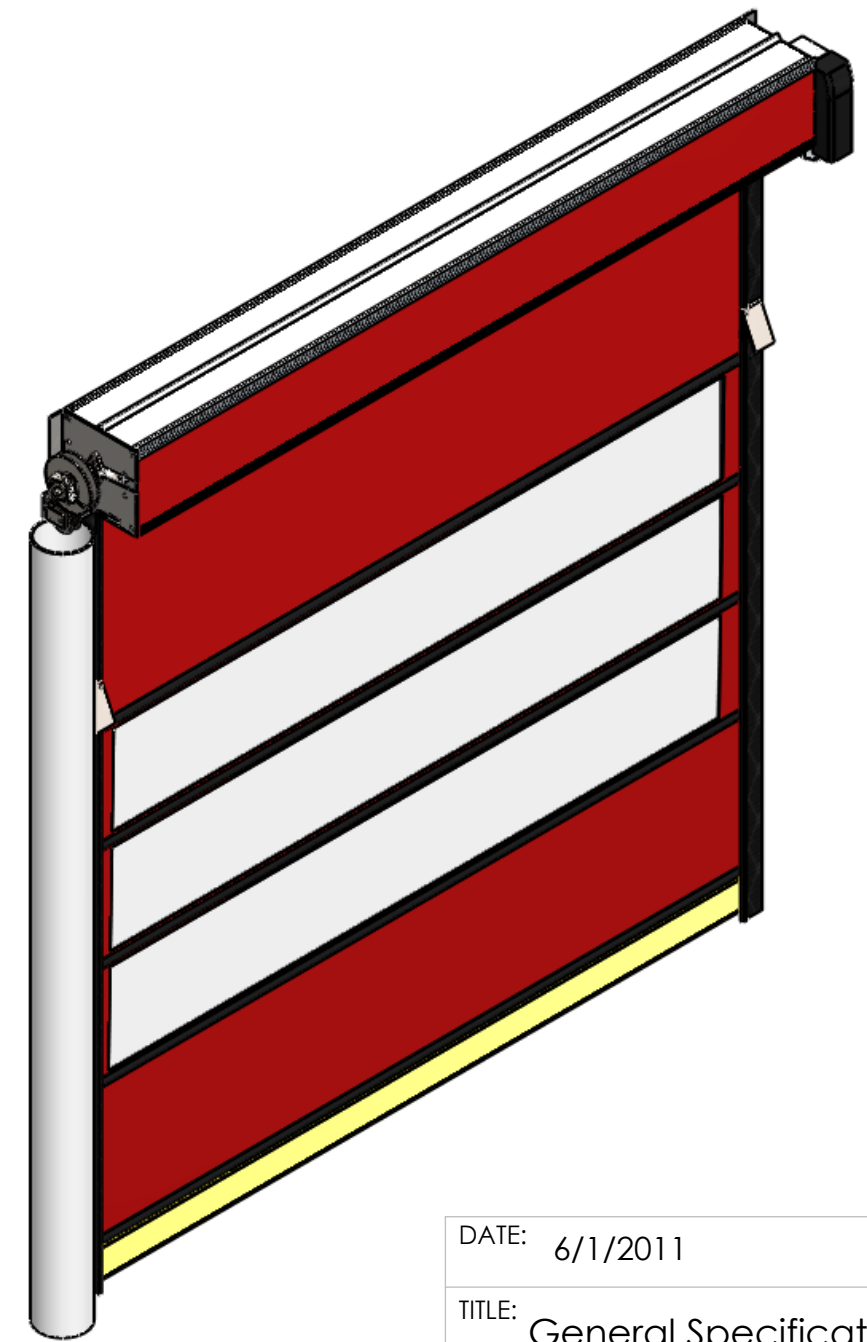
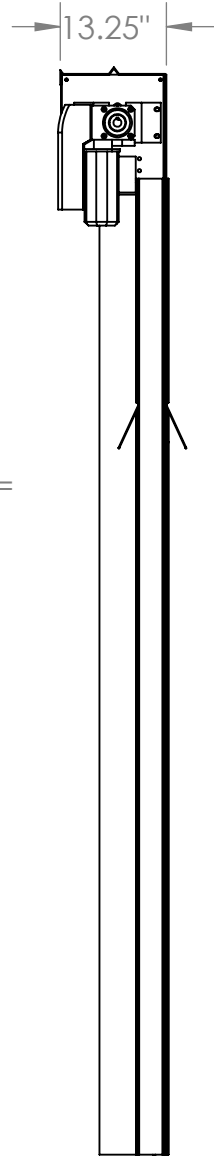
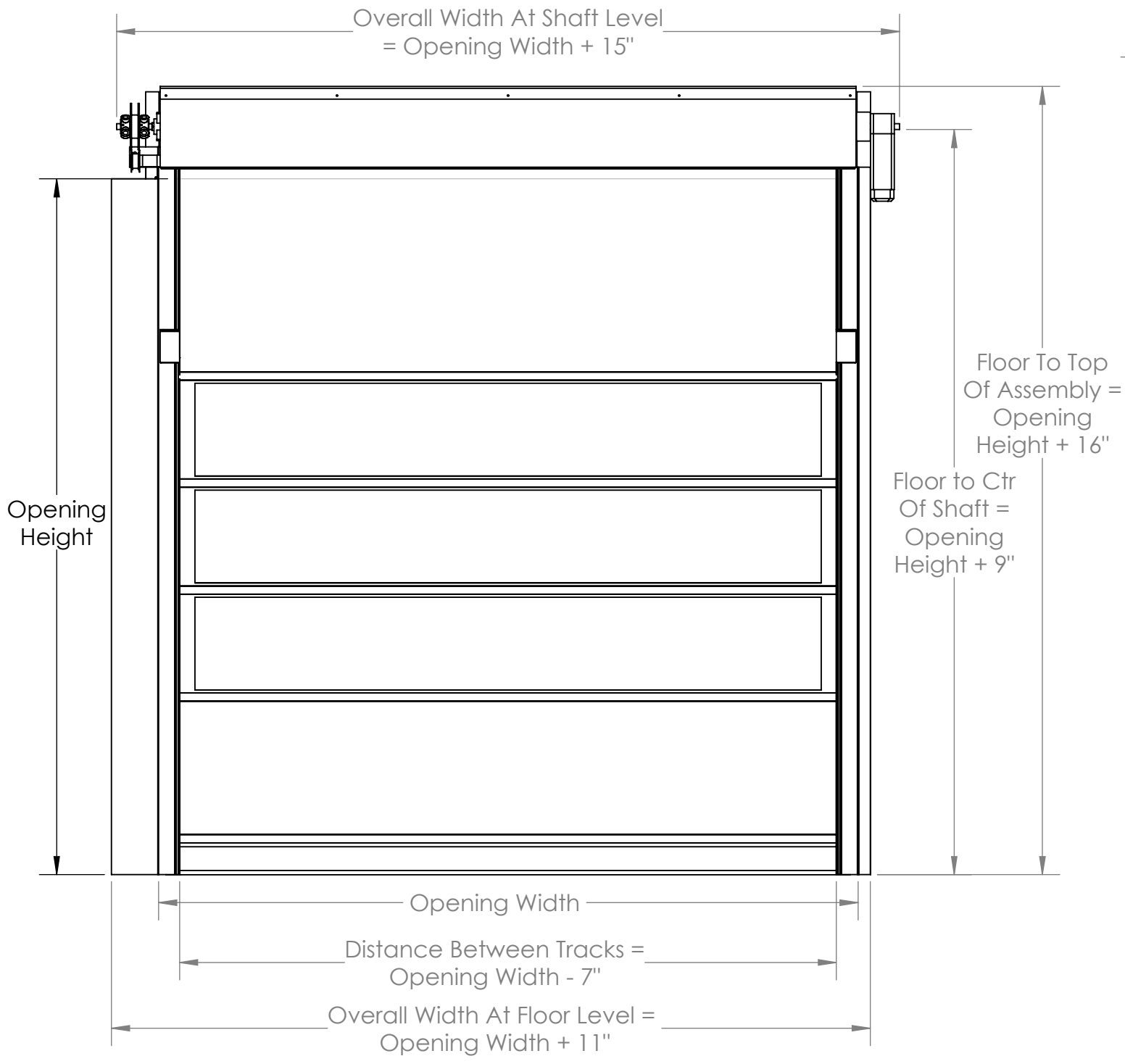


NOTES

- Number of Clear Full Vision Sections vary with opening height and/or ceiling height. Consult factory for exact section layout.
- Counterweights and door motor are universal and may be mounted on either side of the door.



DATE: 6/1/2011		
TITLE: General Specifications for XRS Premium Model Door		
SIZE B	DWG. NO.	REV
SCALE: 1:48		SHEET 1 OF 1